



## miniCT – Conductivity & Temperature Sensor



The miniCT is Valeport's latest real time Conductivity and Temperature sensor package. It features high accuracy sensors combined with a robust design to make it suitable for inclusion in a variety of sensor suites, fixed site monitoring in still wells (for low bio-fouling) or for use on ROVs or other vehicles

### Sensors

Valeport's new digital inductive conductivity sensor boasts several design features that allow it to perform to specification even under the harshest of environments.

Specially selected materials maintain dimensional stability to 6000m water depth, and the unique digital sampling system means that the sensor not only uses very little power, but also that the measurements are totally unaffected by environmental temperature. The miniCT also features a robust, titanium housed PRT temperature sensor.

### Conductivity

Type:	Valeport inductive cell
Range:	0 - 80mS/cm
Accuracy:	±0.01mS/cm
Resolution:	0.001mS/cm

### Temperature

Type:	Titanium housed PRT
Range:	-5 to +35°C
Accuracy:	±0.01°C
Resolution:	0.001°C

### Data Acquisition

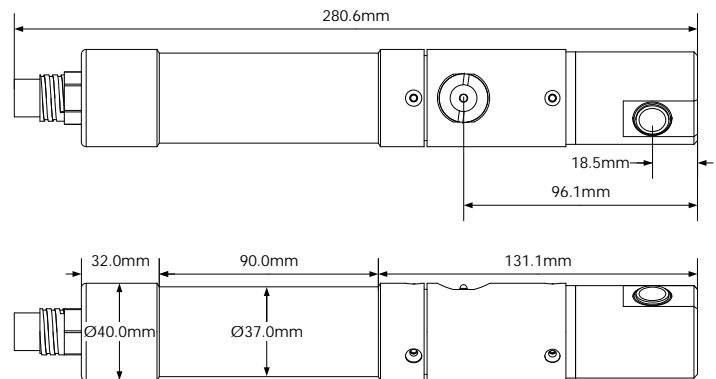
Sampling:	Continuous data output, on command or on power up
Data Rate:	1, 2, 4 or 8Hz

### Communications

Output:	RS232 & RS485 fitted as standard
Protocol:	4800 to 115200 baud, (8,1,N)
Format:	ASCII text Data

### Physical

Materials:	Acetal or titanium housing (as ordered), polyurethane and ceramic sensor components
Depth Rating:	500m (Acetal) 6000m (Titanium)
Size:	40mmØ x 285mm long (including connector)
Weight:	0.6kg – Acetal 1kg - Titanium



### Electrical

Input:	9 – 28V DC
Power:	<250mW @ 12v
Connector:	SubConn MCBH6F

### Ordering

0660005	miniCT in Acetal housing Supplied with: • Interface lead • Operating manual and transit case
0660006	miniCT in Titanium Supplied with: • Interface lead • Operating manual and transit case